

## KG 系列通用紧急报警系统 KG series general emergency alarm system 设备组成 Device Composition

序号 S/N	型号 Model	名称 Name	主要材质 Main material	重量 Weight	防护等级 IP class
1	KG-1JK	通用紧急报警控制器 General emergency alarm controller	阻燃ABS Fire retardant ABS	2.38Kg	IP 20
2	KG-2JK KG-2JKB	通用紧急报警控制器 (配KG-4) General emergency alarm controller (Match KG-4)	碳钢、合金铝 Carbon steel, Aluminum alloy	9.5Kg	IP 20
3	KG-3JK	通用紧急报警控制器 (客船型) General emergency alarm controller (Passenger ship)	碳钢、合金铝 Carbon steel, Aluminum alloy	3.42Kg	IP 20
4	KY-1A/B/C	警铃控制箱 Alarm bell control box	碳钢 Carbon steel	16/20/11.3Kg	IP 22
5	KG-1JYG	通用紧急报警遥控盒 General emergency alarm remote control box	阻燃ABS Fire retardant ABS	1.76Kg	IP 44
6	KG-1JYF	通用紧急报警遥控盒 General emergency Alarm remote control box	阻燃PA66 Fire retardant PA	1.1Kg	IP 44
7	KG-3JYG	通用紧急报警遥控盒 (客船型) General emergency alarm remote control box (Passenger ship)	阻燃ABS Fire retardant ABS	1.94Kg	IP 56
8	KG-3JYF	通用紧急报警遥控盒 (客船型) General emergency alarm remote control box (Passenger ship)	阻燃PA66 Fire retardant PA	2.5Kg	IP 56
9	AN-2 AN-3	通用紧急报警按钮 General emergency alarm button	阻燃ABS Fire retardant ABS	0.5Kg	IP 20 IP 56
10	JXTR11-10	10路熔断器箱 10-way fuse box	碳钢 Carbon steel	3.02Kg	IP 22/IP44
11	JXTR21-20	20路熔断器箱 20-way fuse box	碳钢 Carbon steel	3.32Kg	IP 22/IP44
12	JXTR31-30	30路熔断器箱 30-way fuse box	碳钢 Carbon steel	5.5Kg	IP 22/IP44
13	BJ-1Q/BJ-1	声光报警器(壁挂式/嵌入式) Audible and visual alarm (Wall mount/Flush type)	阻燃ABS Fire retardant ABS	0.75/0.36Kg	IP 22/IP44
14	BJ-2J/2Z	声光报警器 Audible and visual alarm unit	阻燃ABS Fire retardant ABS	1.86/1.4Kg	IP 56
15	BJ-3	声光报警器 Audible and visual alarm unit	阻燃ABS Fire retardant ABS	0.3Kg	IP 56
16	BJ-4J/4Z	声光报警器 Audible and visual alarm unit	阻燃ABS Fire retardant ABS	0.94/0.86Kg	IP 44
17	BJ-5J/5Z	声光报警器 Audible and visual alarm unit	阻燃ABS Fire retardant ABS	2.1Kg	IP 56
18	SGB-1	警灯 Warning light	阻燃ABS、PC Fire retardant ABS,PC	0.96Kg	IP 56
19	BAL-24/220	防爆电铃 Explosion-proof electric bell	合金铝 Aluminum alloy	3.0Kg	IP 65
20	BBJ-ZR-220 BBJ-ZR-24	防爆声光报警器(AC220V/DC24V) Explosion-proof audible and visual alarm unit	合金铝 Aluminum alloy	5.0Kg	IP 65
21	BBJ-12-□	防爆状态指示灯(4色) Explosion-proof status warning light(4 color)	不锈钢 Stainless steel	19Kg	IP 68
22	BBJ-13-□	防爆状态指示灯(6色) Explosion-proof status warning light(6 color)	不锈钢 Stainless steel	27Kg	IP 68
23	BBJ-21-□	防爆声光报警器 Explosion-proof audible and visual alarm unit	不锈钢 Stainless steel	9.0Kg	IP 66
24	BBJ-11-□	防爆状态指示灯 Explosion-proof status warning light	不锈钢 Stainless steel	4.0Kg	IP 68

KG-1JK/2JK/3JK通用报警控制器 General emergency alarm controller

功能描述

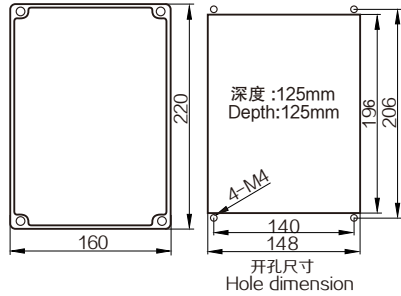
可通过全船警铃和广播系统向全船发送报警信号，并启动警报指示器、雾笛等设备。  
具有夜光、调光功能。  
具有火灾报警、广播、雾笛、警报指示器等接口。  
具有失电报警功能。  
报警优先级通用紧急报警级别最高，其次是火警、手动报警。  
可外接通用紧急报警按钮。  
运行状态指示。

Function

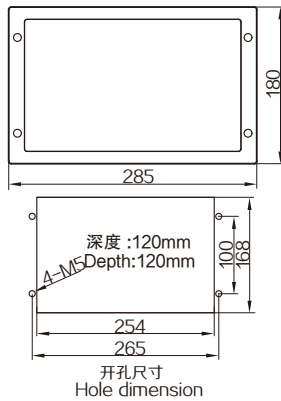
It can send out alarm signal to the whole ship through all alarm bells and public address system on board and also activate ER alarm indicator system, foghorn system, etc.  
It has functions of night light and dimmer.  
It has interface for fire alarm, public address, foghorn, alarm indicator, etc.  
It has function of power failure alarm.  
General emergency alarm will take first priority, fire alarm will take second priority and manual alarm will take third priority.  
It can be connected with general emergency alarm button.  
Running status indication.



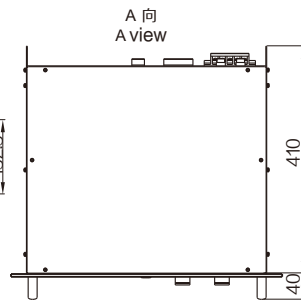
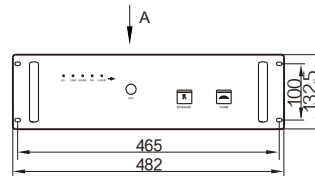
KG-1JK



KG-3JK



KG-2JK/KG-2JKB(配KG-4)  
KG-2JK/KG-2JKB(Match KG-4)



主电源 Main power: AC220V ± 10%  
应急电源 Emergency power: DC24V <sup>+30%</sup>/<sub>-25%</sub>  
报警信号频率 Alarm signal frequency: 1000 ± 50Hz  
通用紧急报警信号时序 General emergency alarm time sequence: 七短一长，每隔两秒重复发送 Seven short and one long, repeat sending every other two seconds  
火警报警信号时序 Fire alarm time sequence: 连续的调制长音 continuous modulated long tone  
手动报警信号时序 Manual alarm time sequence: 根据按钮的通断发送报警信号 continuous alarm signal manually  
与广播之间的接口电平 Interface signal level between general emergency alarm controller and public address: -7 ± 1dB  
与广播之间的接口阻抗 Interface resistance level between general emergency alarm controller and public address: 1k  
无源触点负载 (阻性) Passive contact load (resistance): 8A/250VAC  
KG-1JK/3JK颜色 Color: 黑色 black (RAL 9005)  
KG-2JK颜色 Color: 海灰色 Sea gray (RAL 7035)  
防护等级 IP class: IP20  
重量 Weight: 2.38/9.5/3.42Kg

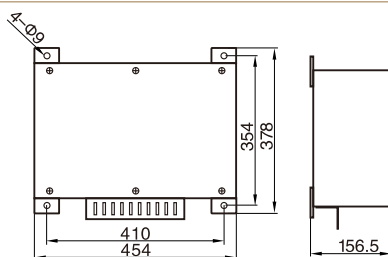
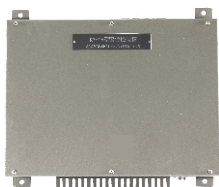
KY-1A/B/C警铃控制箱 Alarm bell control box

功能描述

通用紧急报警警铃控制箱，用于控制电铃。  
KY-1A/B: 主电源AC220V，应急电源DC24V，输出电压DC24V；  
KY-1C: 主电源和应急电源两路AC220V，输出电压AC220V。

Function

Alarm bell control box is applied to control electric bell.  
KY-1A/B: Main power is AC220V and emergency power is DC24V, output voltage is DC24V.  
KY-1C: main power and emergency power are AC220V, output voltage is AC220V.



功率 Power: 400/600W (DC 24V输出 output)  
1000W (AC 220V输出 output)  
颜色 Color: 海灰色 Sea gray (RAL 7035)  
防护等级 IP class: IP22  
重量 Weight: 16/20/11.3Kg

### KG-1JY通用紧急报警遥控盒 Alarm remote control box

#### 功能描述

可向全船发送通用紧急报警信号，并可通过广播系统向全船进行紧急讲话。

#### Function

It can send out general emergency alarm signal to the whole ship and also perform emergency announce to the whole ship through public address system.

### KG-1JYG通用紧急报警遥控盒 Alarm remote control box

**技术参数 Technical parameter**  
 颜色 Color: 黑色 black (RAL 9005)  
 防护等级 IP class: IP44  
 重量 Weight: 1.76Kg  
 填料函进线孔径 Stuffing box cable entrance hole size: 1- $\Phi$  14mm ; 1- $\Phi$  18mm

### KG-1JYF防风雨通用紧急报警遥控盒 Weatherproof alarm remote control box

**技术参数 Technical parameter**  
 颜色 Color: 海灰色 Sea gray (RAL 7035)  
 防护等级 IP class: IP56  
 重量 Weight: 1.94Kg  
 填料函进线孔径 Stuffing box cable entrance hole size: 1- $\Phi$  14mm ; 1- $\Phi$  18mm  
 (不锈钢外箱可选)  
 (stainless steel box is optional)

### KG-3JY通用紧急报警遥控盒 Alarm remote control box

#### 功能描述

可分别或同时向船员和旅客发送通用紧急报警信号，并可通过广播系统进行紧急讲话。

#### Function

It can send out general emergency alarm signal to crew, passenger separately or simultaneously and also perform emergency announce through public address system.

### KG-3JYG通用紧急报警遥控盒 Alarm remote control box

**技术参数 Technical parameter**  
 颜色 Color: 黑色 black (RAL 9005)  
 防护等级 IP class: IP44  
 重量 Weight: 1.1Kg  
 填料函进线孔径 Stuffing box cable entrance hole size: 1- $\Phi$  14mm ; 1- $\Phi$  18mm

### KG-3JYF防风雨通用紧急报警遥控盒 Weatherproof alarm remote control box

**技术参数 Technical parameter**  
 颜色 Color: 海灰色 Sea gray (RAL 7035)  
 防护等级 IP class: IP56  
 重量 Weight: 2.5Kg  
 填料函进线孔径 Stuffing box cable entrance hole size: 1- $\Phi$  14mm ; 1- $\Phi$  18mm  
 (不锈钢外箱可选 FSX-2N)  
 (stainless steel box is optional FSX-2N)

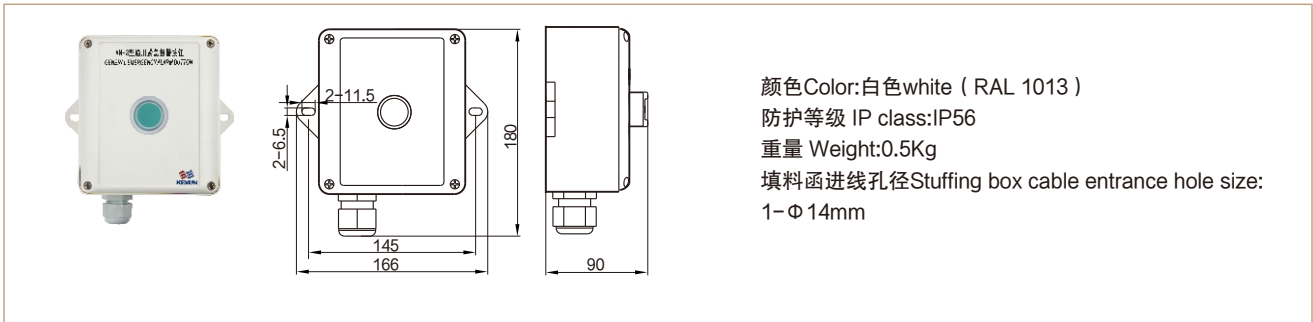
## AN-3通用紧急报警按钮 General emergency alarm button

### 功能描述

通用紧急报警按钮。  
报警按钮带自锁带防护罩。

### Function

General emergency alarm button  
Alarm button with self-lock and protection cover



## 熔断器箱fuse box

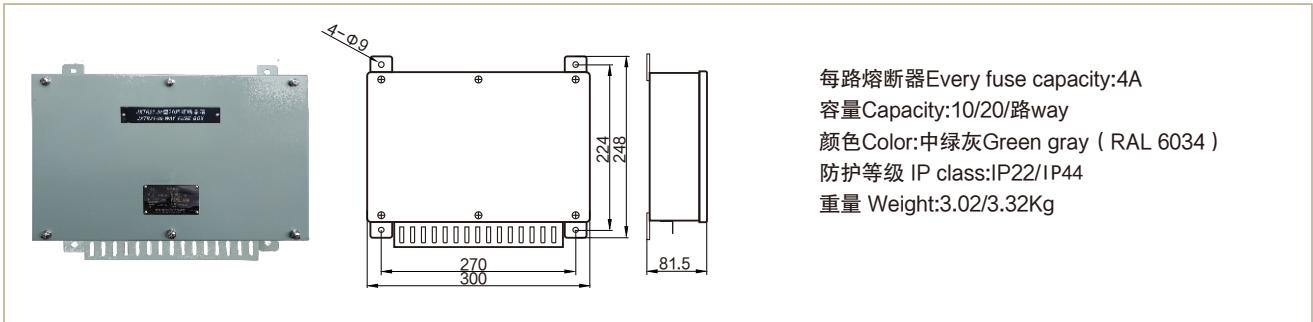
### 功能描述

提供过流保护功能。

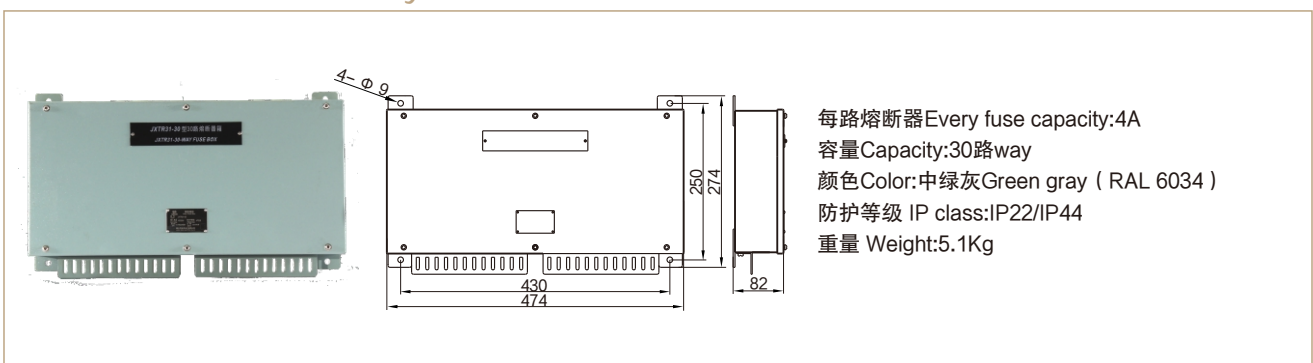
### Function

Overcurrent protection.

## JXTR11-10 10路way/JXTR21-20 20路way熔断器箱fuse box



## JXTR31-30 30路way 熔断器箱fuse box



## 声光报警器通用功能描述 General function of audible and visual alarm

### 功能描述Function

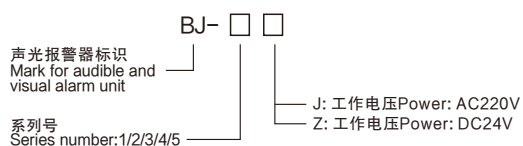
报警音调: 报警音调满足Res.A.1021 (26) 规范,  
并可现场选择需要的32种音调。

通电工作: 接入电源即发出听/视觉报警信号。

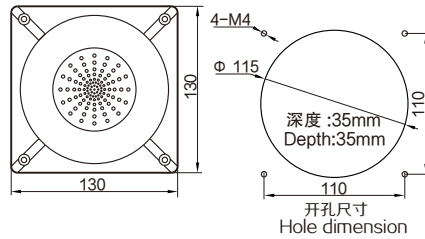
Alarm tone: Alarm tones meet the requirement of  
Res.A.1021(26); 32 kinds of tone can  
be selected on the spot.

Working after electrified: send out audible and visual  
alarm signal when electrified.

### 型号规定Model specification



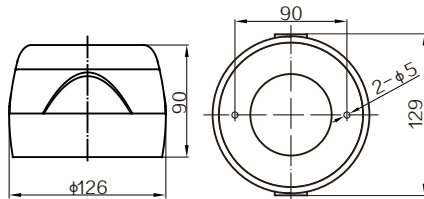
### BJ-1Q声光报警器 ( 嵌入式 ) Audible and visual alarm unit(Flush type)



电源电压Power supply: DC24V  $\begin{matrix} +30\% \\ -25\% \end{matrix}$   
AC220V  $\pm 10\%$

功耗Power: 1.5W  
声压级Sound pressure level: 90~100dB  
颜色Color: 红色red(RAL 3020)  
防护等级 IP class:IP20  
重量 Weight:0.75Kg  
A1/D1+.A2接AC220V  
A1/D1+.D2-接DC24V  
( 不可同时接入 )  
(Can't be connected simultaneously)

### BJ-1声光报警器 ( 壁挂式 ) Audible and visual alarm unit(Wall mount)

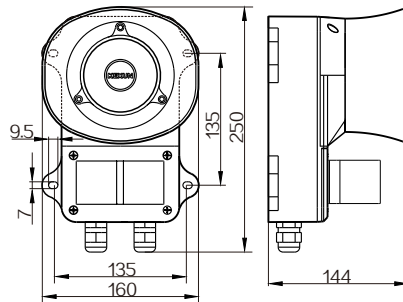


电源电压Power supply: DC24V  $\begin{matrix} +30\% \\ -25\% \end{matrix}$   
AC220V  $\pm 10\%$

功耗Power: 1.6W  
声压级Sound pressure level: 90~100dB  
颜色Color: 红色red(RAL 3020)  
防护等级 IP class:IP44  
重量 Weight:0.36Kg  
A1/D1+.A2接AC220V  
A1/D1+.D2-接DC24V

( 不可同时接入 )  
(Can't be connected simultaneously)

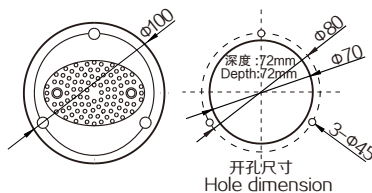
### BJ-2J/2Z声光报警器 Audible and visual alarm unit



电源电压Power supply: AC220V  $\pm 10\%$ (BJ-2J)  
DC24V  $\begin{matrix} +30\% \\ -25\% \end{matrix}$ (BJ-2Z)

功耗Power: 12W  
声压级Sound pressure level: 100~110dB  
颜色Color: 红色red(RAL 3020)  
防护等级 IP class:IP56  
重量 Weight:1.86/1.4Kg  
填料函进线孔径Stuffing box cable entrance hole size:  
2- $\Phi 14$ mm

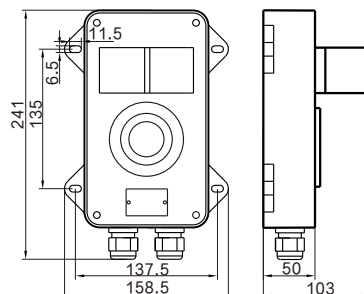
### BJ-3声光报警器 Audible and visual alarm unit



电源电压Power supply:DC24V  $\begin{matrix} +30\% \\ -25\% \end{matrix}$   
AC220V  $\pm 10\%$

功耗Power:0.6W  
声压级Sound pressure level: 90~100dB  
颜色Color: 白色white ( RAL1013 )  
防护等级 IP class:IP56  
重量 Weight:0.3Kg  
填料函进线孔径Stuffing box cable entrance hole size:  
1- $\Phi 12$ mm  
AC.COM接AC220V  
DC.COM接DC24V  
( 不可同时接入 )  
(Can't be connected simultaneously)

### BJ-4J/4Z声光报警器 Audible and visual alarm unit



电源电压Power supply: AC220V  $\pm 10\%$ (BJ-4J)  
DC24V  $\begin{matrix} +30\% \\ -25\% \end{matrix}$ (BJ-4Z)

功耗Power:3.6W  
声压级Sound pressure level:91~100dB  
颜色Color:红色red(RAL 2030)  
防护等级 IP class:IP44  
重量 Weight:0.94/0.86Kg  
填料函进线孔径Stuffing box cable entrance hole size:  
2- $\Phi 18$ mm

BJ-5J/5Z声光报警器Audible and visual alarm unit

电源电压Power supply: AC220V ± 10%(BJ-5J)  
DC24V<sup>+30%</sup><sub>-25%</sub>(BJ-5Z)

功耗Power:12W  
声压级Sound pressure level:100~110dB  
颜色Color:红色red(RAL 2030)  
防护等级 IP class:IP56  
重量 Weight:2.1Kg  
填料函进线孔径Stuffing box cable entrance hole size:  
2-Φ18mm  
灯罩颜色可选红、黄或其它。  
Red, yellow or others for lamp cover are.

SGB-1 警灯 Warning light

电源电压Power supply:AC220V ± 10%  
DC24V<sup>+30%</sup><sub>-25%</sub>

功耗Power:5W  
颜色Color:白色white(RAL 1013)  
防护等级 IP class:IP56  
重量 Weight:0.96/0.6Kg  
填料函进线孔径Stuffing box cable entrance hole size:  
2-Φ18mm  
灯罩颜色:绿色蓝色白色红色琥珀色红色可选  
Lamp cover color: green/blue/white/red/  
amber/red is optional.

BAL-24/220防爆电铃xplosion-proof electric bell

电源电压Power supply:AC220V ± 10% (BAL-220)  
DC24V<sup>+30%</sup><sub>-25%</sub> (BAL-24)

功耗Power:20W  
声压级Sound pressure level:100~110dB  
颜色Color:红色red(RAL 2030)  
防护等级 IP class:IP65  
重量 Weight:3.0Kg  
防爆等级Explosion-proof class:Exd II CT6 Gb  
填料函进线孔径Stuffing box cable entrance hole size:  
1-Φ13mm

BBJ-ZR-24/220防爆声光报警器  
Explosion-proof audible and visual alarm unit

电源电压Power supply:AC220V ± 10% (BBJ-ZR-220)  
DC24V<sup>+30%</sup><sub>-25%</sub> (BBJ-ZR-24)

功耗Power:10W  
声压级Sound pressure level:100~110dB  
颜色Color:红色red(RAL 2030)  
防护等级 IP class:IP66  
重量 Weight:5.0Kg  
防爆等级Explosion-proof class:Exd ib II CT6 Gb  
填料函进线孔径Stuffing box cable entrance hole size:  
2-Φ14mm

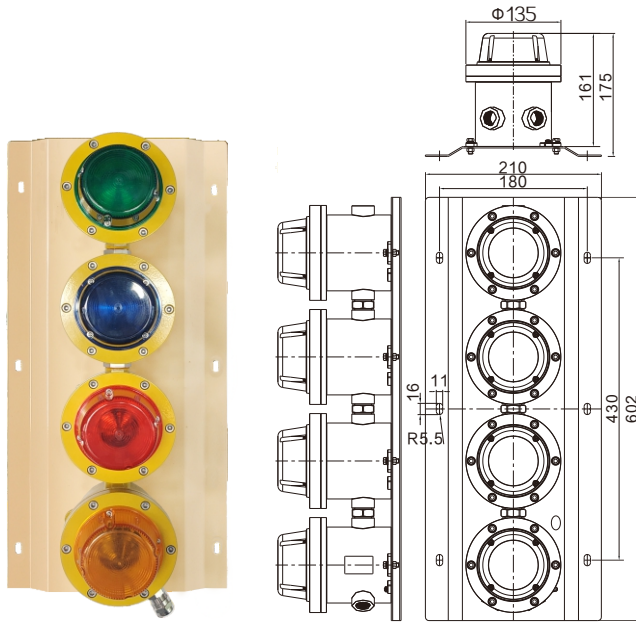
## 防爆状态指示灯

### 功能描述

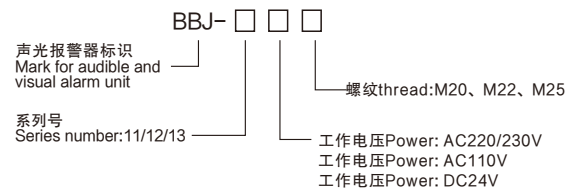
防爆状态指示灯作为警示灯的一种，可在具有爆炸性气体环境下，作视觉提示或报警使用。BJ系列防爆状态警示灯依据 IEC 60079-0-2017和IEC60079-1-2014-06、IEC 60079-28:2013、IMO A.1021(26)的要求所设计，并取得IECEX认证，适用于石油、天然气、化工、石化、炼油、海洋和海洋产业等危险区域。

Explosion-proof audible and visual alarm system, as one kind of alarms, can be used to broadcast and visual alarm for explosive gas atmospheres. BBJ series of explosion-proof audible and visual alarm system is designed according to IEC 60079-0-2017 and IEC60079-1-2014-06, IEC 60079-28:2013, IMO A.1021(26) and certified by IECEx; it is especially applicable for hazardous area such as petroleum, natural gas, chemical industry, petrochemical, oil refining, ocean and industry.

## BBJ-12-□防爆状态指示灯Explosion-proof status warning light



### 型号规定 Model specification



电源电压 Power supply: AC220V/230V (BJ-12-AC220V/230V)  
AC110V (BJ-12-AC110V)  
DC24V (BJ-12-DC24)

最大功率 Power: 12W

颜色 Color: 黄色 yellow

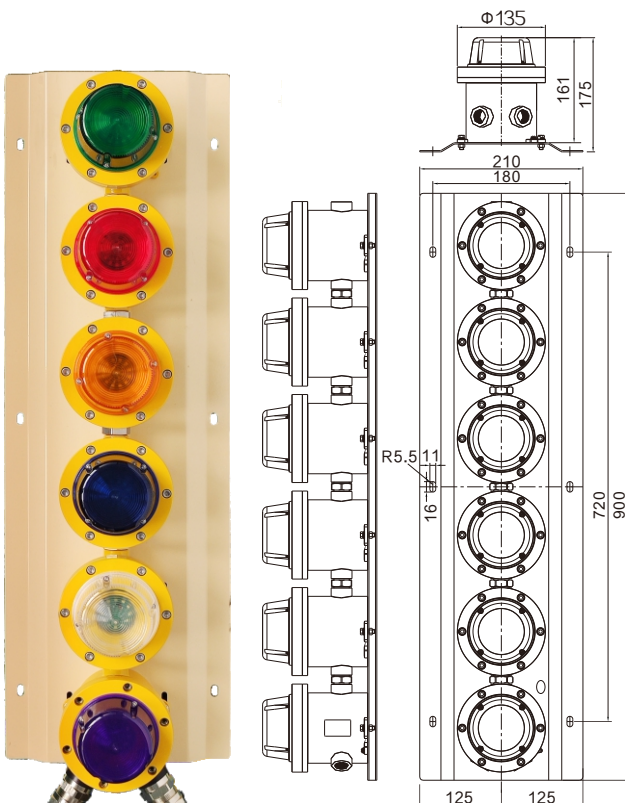
防护等级 IP class: IP68

重量 Weight: 19Kg

防爆等级 Explosion-proof class: Ex db opis II C T5 Gb

填料函进线孔径 Stuffing box cable entrance hole size:  
2- $\Phi$  17mm

## BBJ-13-□防爆状态指示灯Explosion-proof status warning light



电源电压 Power supply: AC220V/230V (BJ-13-AC220V/230V)  
AC110V (BJ-13-AC110V)  
DC24V (BJ-13-DC24)

最大功率 Power: 18W

颜色 Color: 黄色 yellow

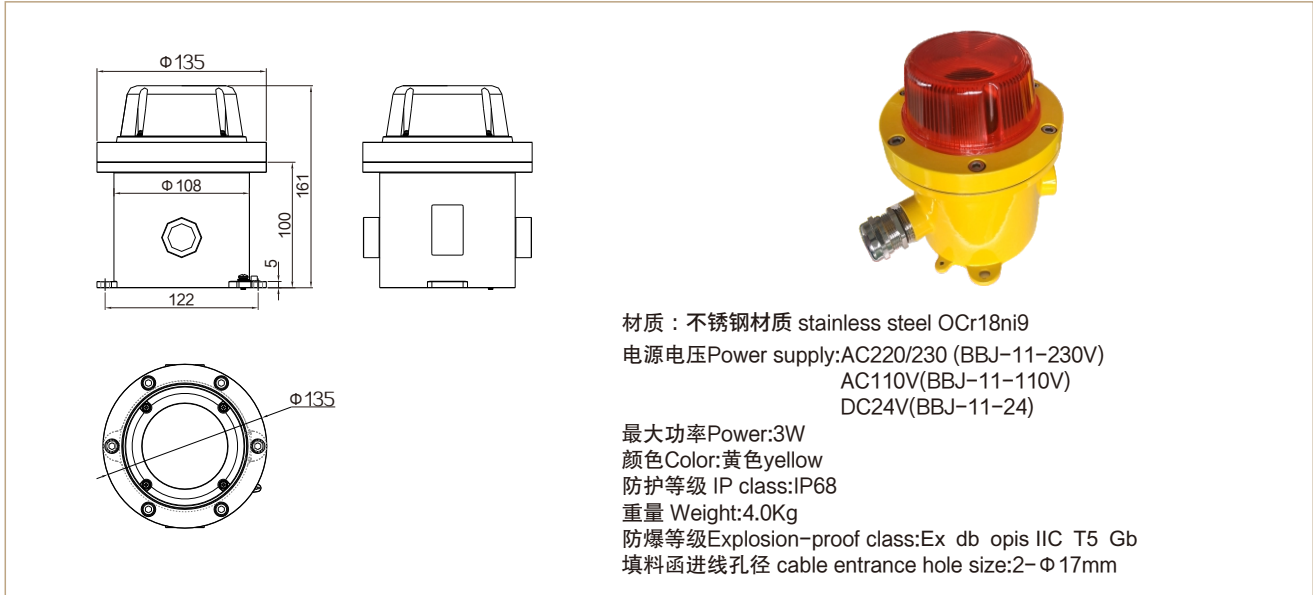
防护等级 IP class: IP68

重量 Weight: 27Kg

防爆等级 Explosion-proof class: Ex db opis II C T5 Gb

填料函进线孔径 Stuffing box cable entrance hole size:  
2- $\Phi$  17mm

### BBJ-11-□防爆状态指示灯 Explosion-proof status warning light

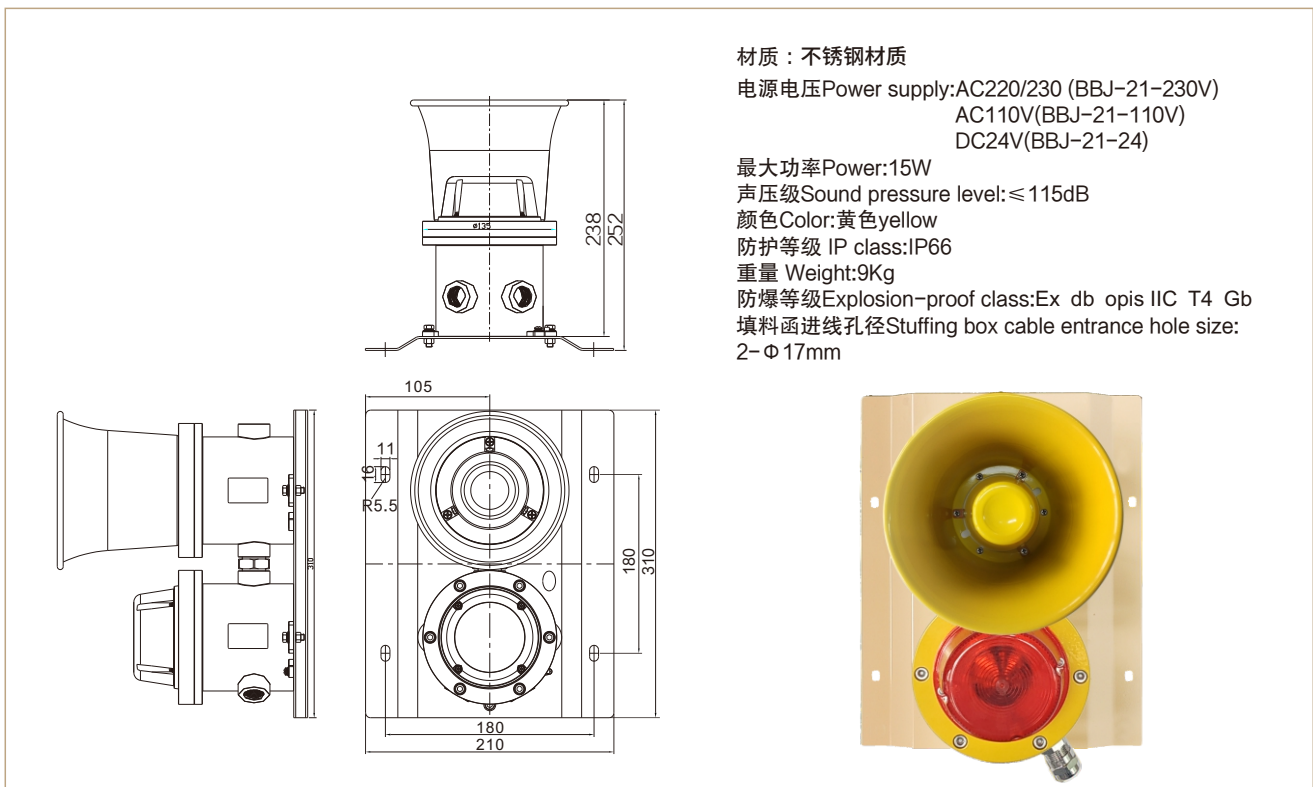


### BBJ-21-□防爆声光报警器Explosion-proof audible and visual alarm unit

#### 功能描述

防爆声光报警器接通电源即可发出声光报警，可输出8种报警音调9种声光报警组合，报警时报警灯亮，防爆声光报警器报警音调及视觉可通过内置拨码开关设定，出厂时置于“0000”位置。声光报警信号满足IMO A.1021 (26) 决议及GB 9193《船舶声光报警信号和识别标志》的要求。

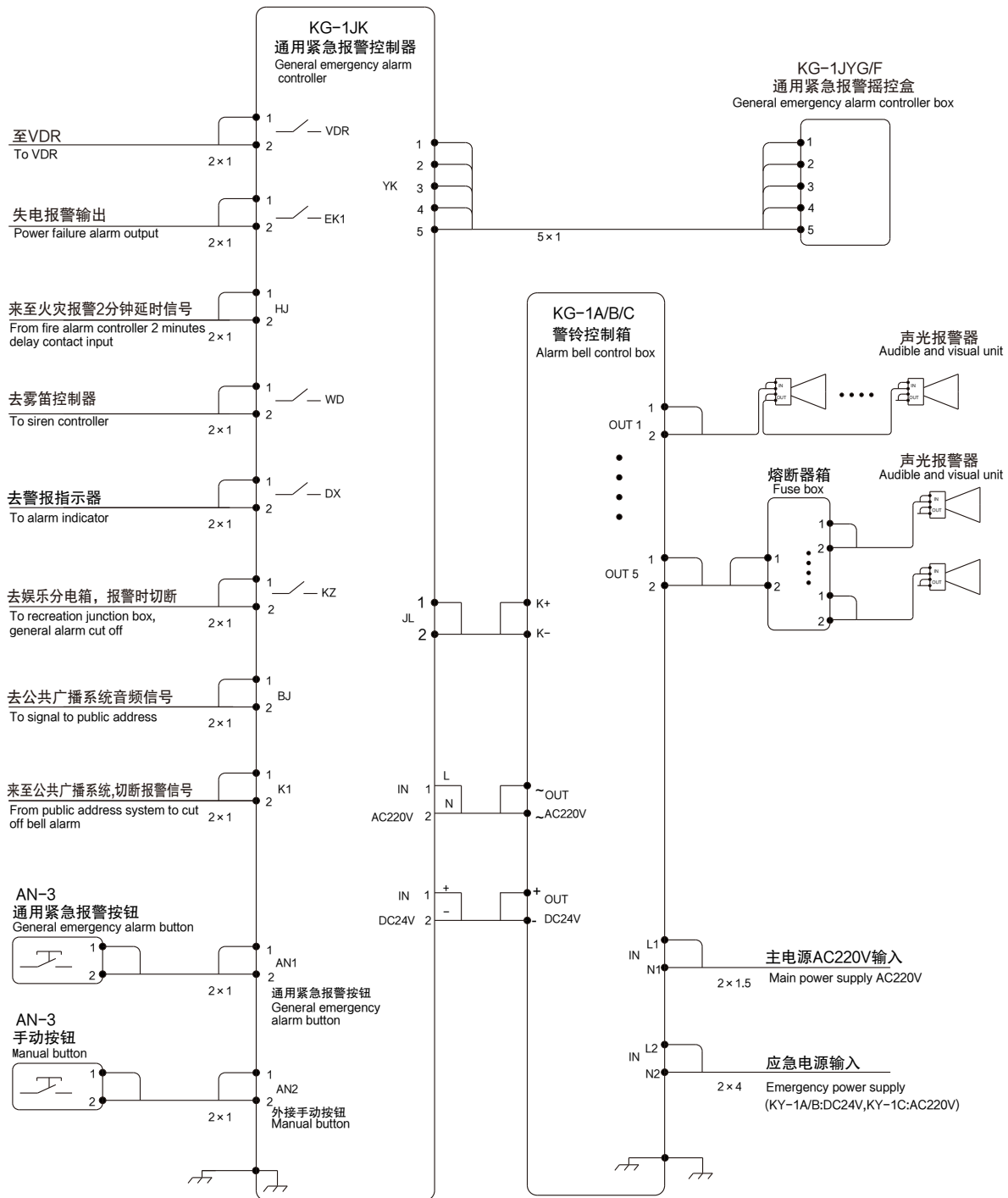
When the explosion-proof acoust-optic alarm is connected to the power supply, it can send out 8 alarm tones and 9 sound and optic alarm combinations. When the alarm is given, the alarm light is on. The alarm tone and vision of the explosion-proof acoust-optic alarm can be set by the built-in dial code switch. Sound and light alarm signals meet the requirements of IMO a.1021 (26) and GB 9193 ship sound and light alarm signals and identification marks.





### KG-1JK通用紧急报警系统接线示意图

KG-1JK general emergency alarm system connection diagram



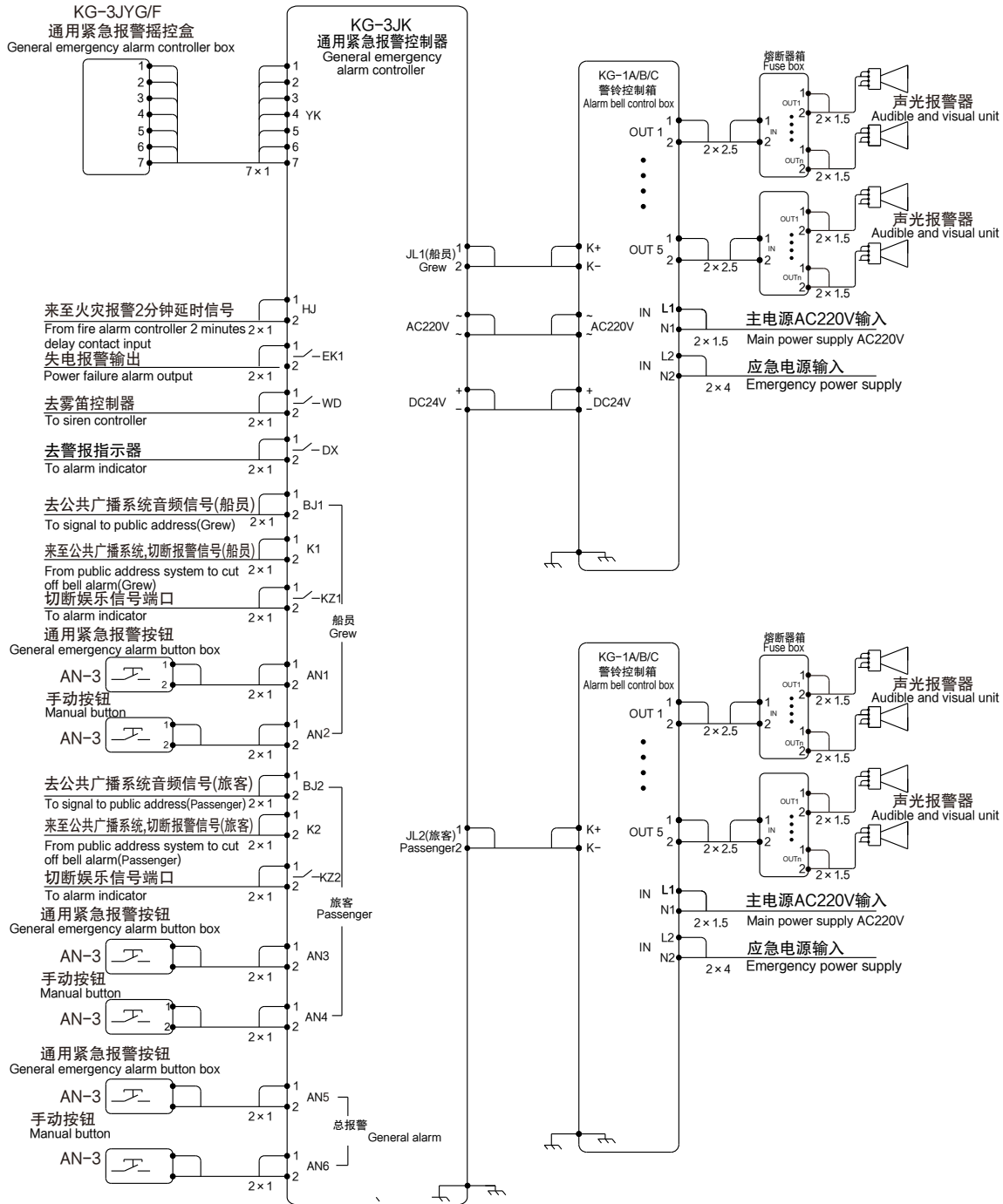
**说明:**

当通用报警系统中警铃控制箱使用KY-1A/B时，警铃控制箱的主电源为AC220V，输出到熔断器箱电压为DC24V，使用的声光报警器供电电压为DC24V；  
 当通用报警系统中警铃控制箱使用KY-1C时，警铃控制箱的主电源为AC220V，输出到熔断器箱电压为AC220V，使用的声光报警器供电电压为AC220V；

**Note:**

If use KY-1A/B alarm bell control box in general alarm system, alarm bell control box main power is AC220V, emergency power is DC 24V, and the voltage output to fuse box is DC24V. The audible and visual alarm power supply shall be DC24V.  
 If use KY-1C alarm bell control box in general alarm system, alarm bell control box main power is AC220V, emergency power is AC220V, and the voltage output to fuse box is AC220V. The audible and visual alarm power supply shall be AC220V.

## KG-3JK通用紧急报警系统接线示意图 KG-3JK general emergency alarm system connection diagram



说明:

当通用报警系统中警铃控制箱使用KY-1A/B时, 警铃控制箱的主电源为AC220V, 输出到熔断器箱电压为DC24V, 使用的声光报警器供电电压为DC24V;  
当通用报警系统中警铃控制箱使用KY-1C时, 警铃控制箱的主电源为AC220V, 输出到熔断器箱电压为AC220V, 使用的声光报警器供电电压为AC220V;

Note:

If use KY-1A/B alarm bell control box in general alarm system, alarm bell control box main power is AC220V, emergency power is DC 24V, and the voltage output to fuse box is DC24V. The audible and visual alarm power supply shall be DC24V.  
If use KY-1C alarm bell control box in general alarm system, alarm bell control box main power is AC220V, emergency power is AC220V, and the voltage output to fuse box is AC220V. The audible and visual alarm power supply shall be AC220V.